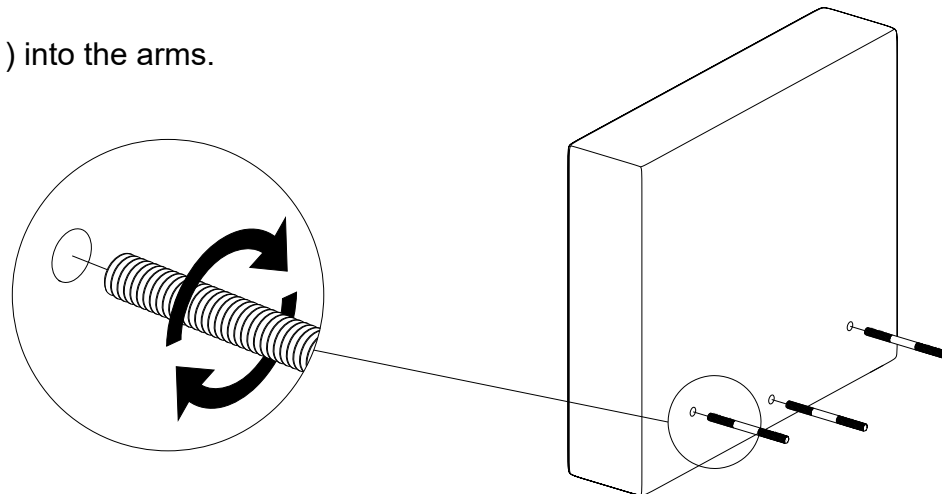


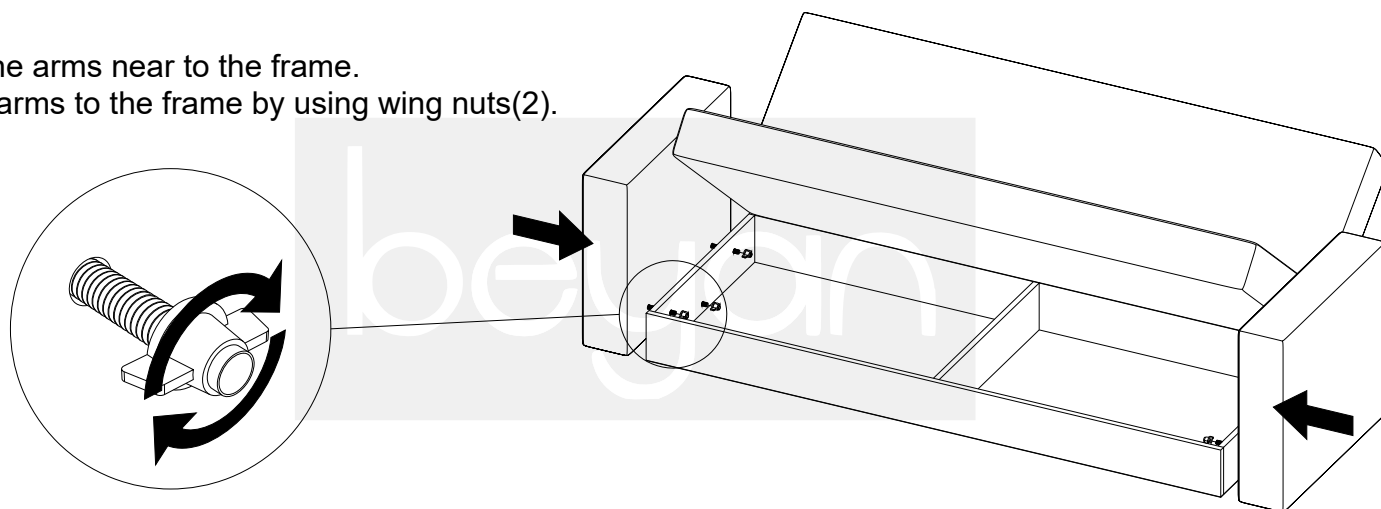
### STEP-1

- Fasten the connection apparatus(1) into the arms.



### STEP-2

- Place the arms near to the frame.
- Fix the arms to the frame by using wing nuts(2).



### STEP-3

- Tilt the sofa on its backside.
- Screw(4) the legs(3) to the arms.
- Fix the middle leg(5) into the base hole.

