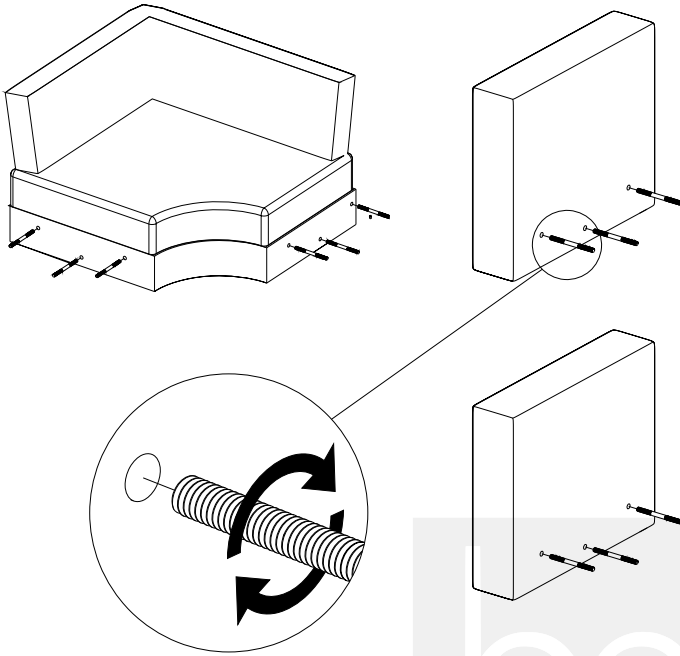
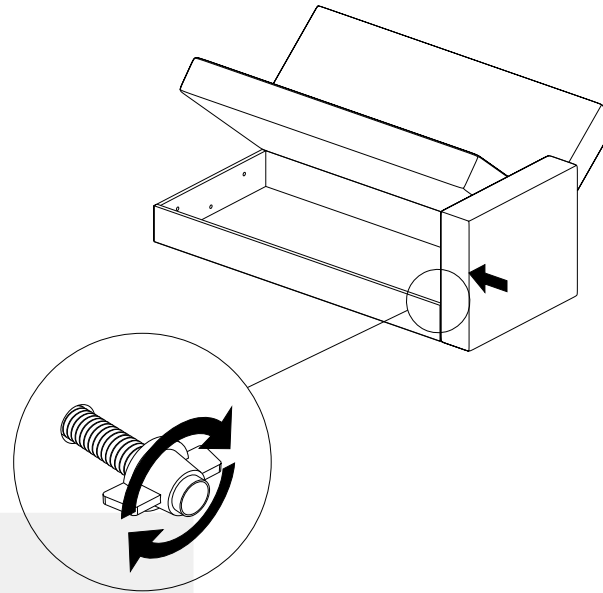


STEP-1

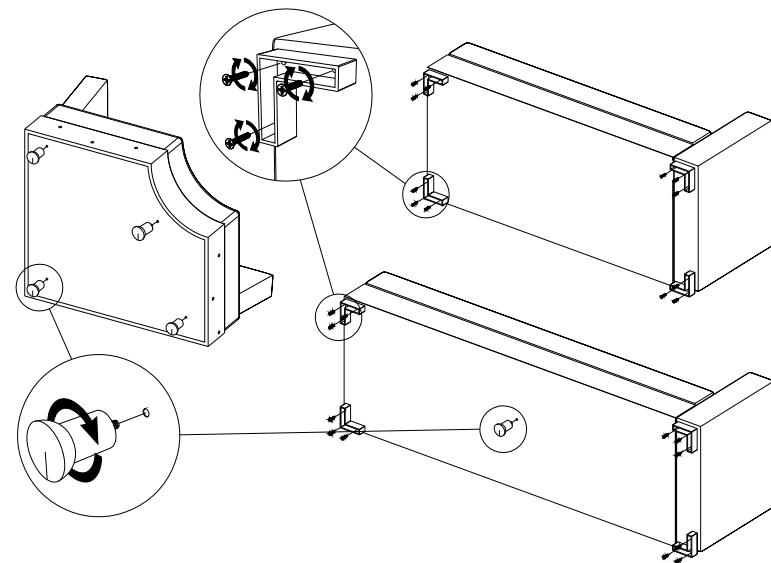
- Fasten the connection apparatus(1) into the arms.

**STEP-2**

- Place the arms near to the frames.
- Fix the arms to the frames by using wing nuts(2).

**STEP-3**

- Tilt the sofa on its backside.
- Screw(4) the legs(3) to the arms.
- Fix the middle legs(5) to the base holes.

**STEP-4**

- Assemble the double sofa and corner sofa by using connection apparatus(1) and nuts(2).

