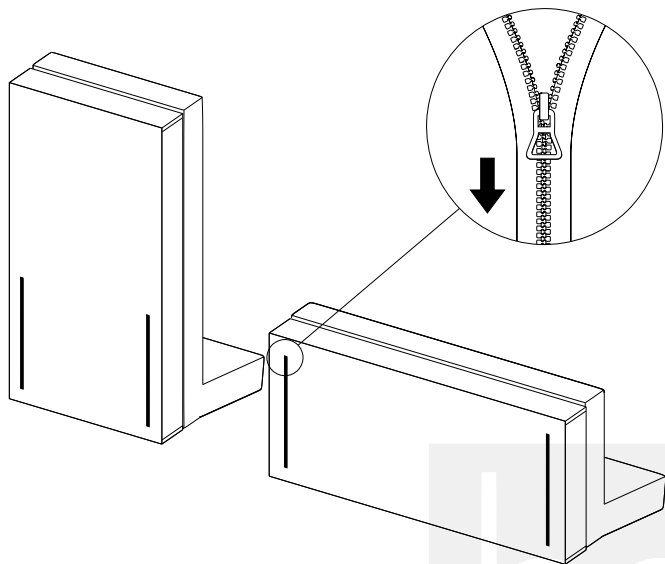


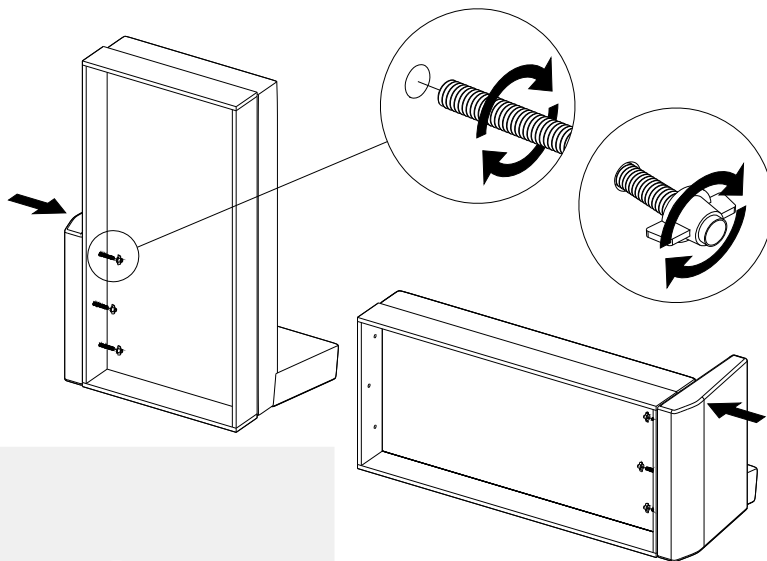
STEP-1

- Tilt the sofa on its backside.
- Open the zipper under the sofa.



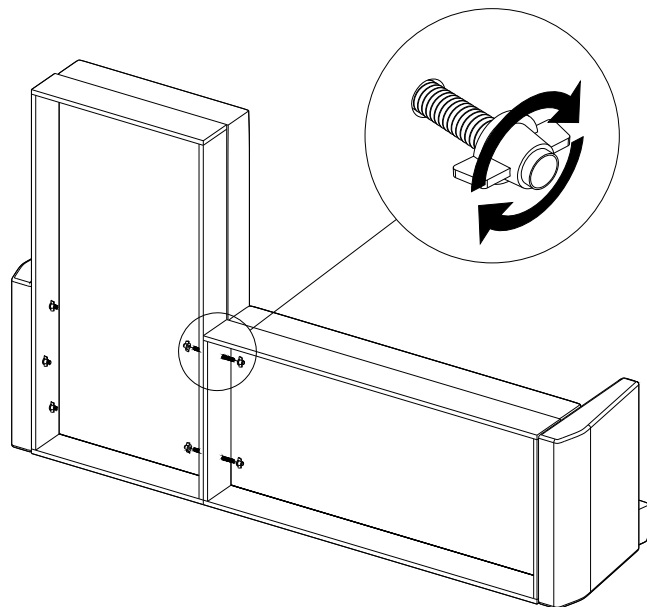
STEP-2

- Place the arms near to the frames.
- Fasten the connection apparatus(1) in to the arms.
- Fix the arms to the frames by using wing nuts(2).



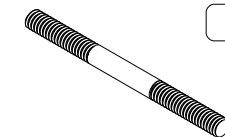
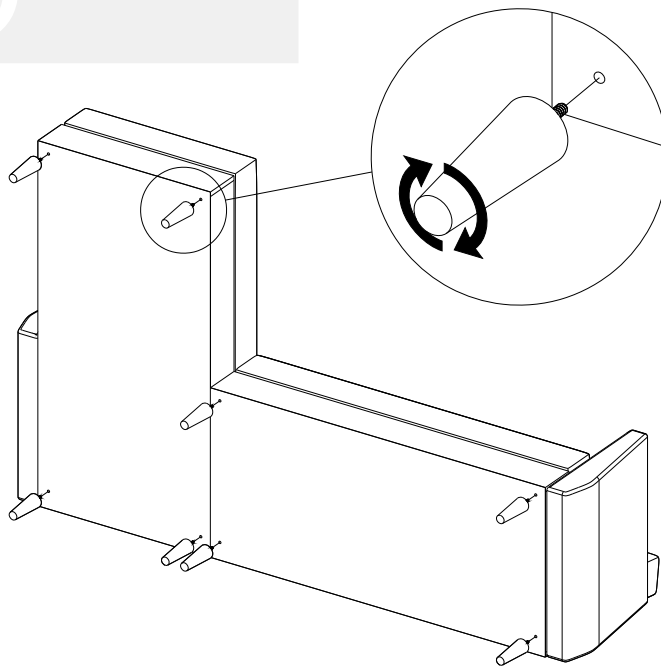
STEP-3

- Assemble the double sofa and corner sofa by using connection apparatus(1) and nuts(2).

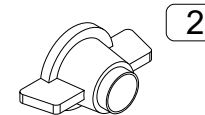


STEP-4

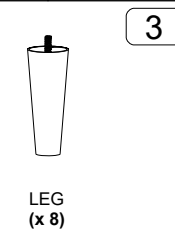
- Fix the legs(3) to the base holes.



CONNECTION APPARATUS
(x 8)



WING NUT
(x 8)



LEG
(x 8)