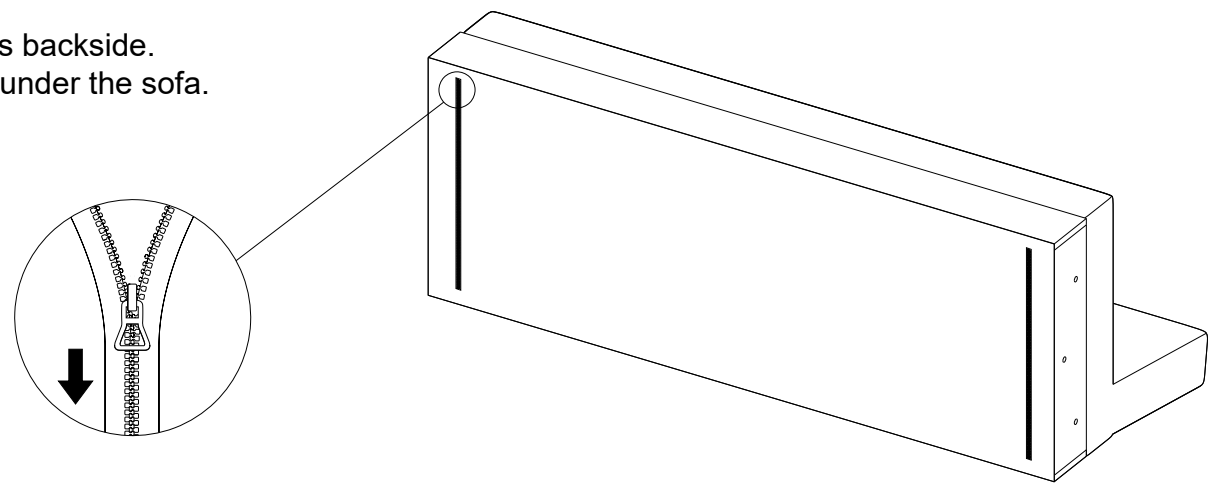


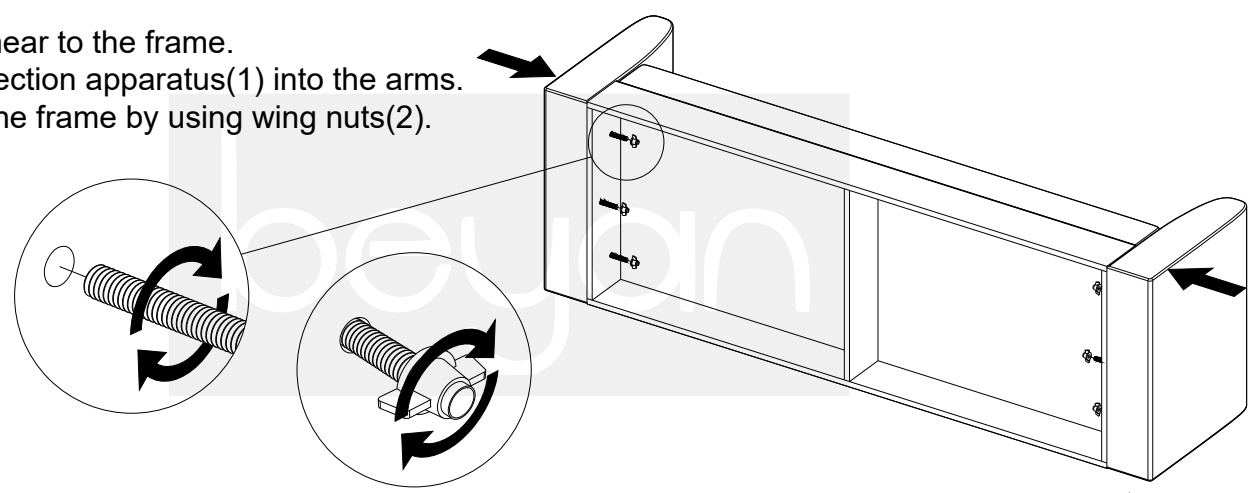
STEP-1

- Tilt the sofa on its backside.
- Open the zipper under the sofa.



STEP-2

- Place the arms near to the frame.
- Fasten the connection apparatus(1) into the arms.
- Fix the arms to the frame by using wing nuts(2).



STEP-3

- Fix the legs(3) to the arms.

