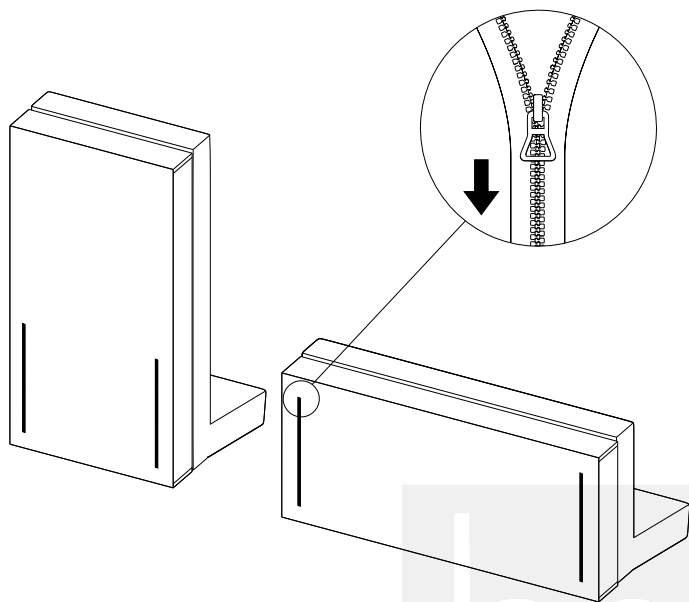


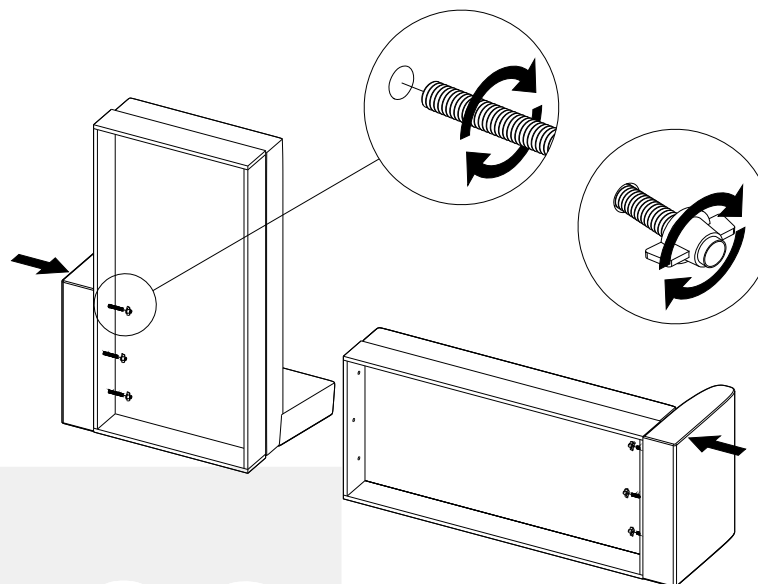
### STEP-1

- Tilt the sofa on its backside.
- Open the zipper under the sofa.



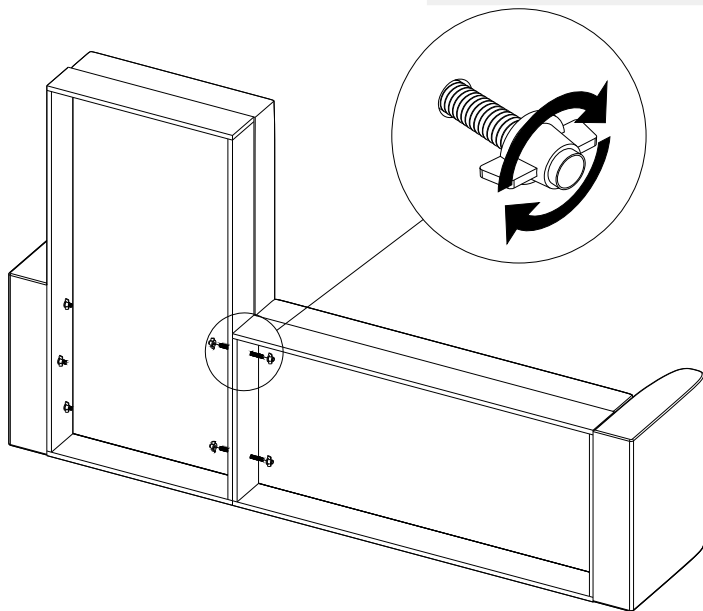
### STEP-2

- Place the arms near to the frames.
- Fasten the connection apparatus(1) in to the arms.
- Fix the arms to the frames by using wing nuts(2).



### STEP-3

- Assemble the double sofa and corner sofa by using connection apparatus(1) and nuts(2).



### STEP-4

- Fix the legs(3) to the arms.

