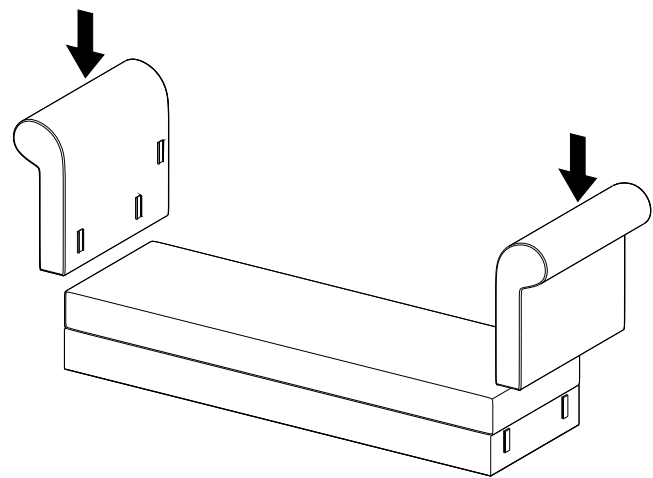


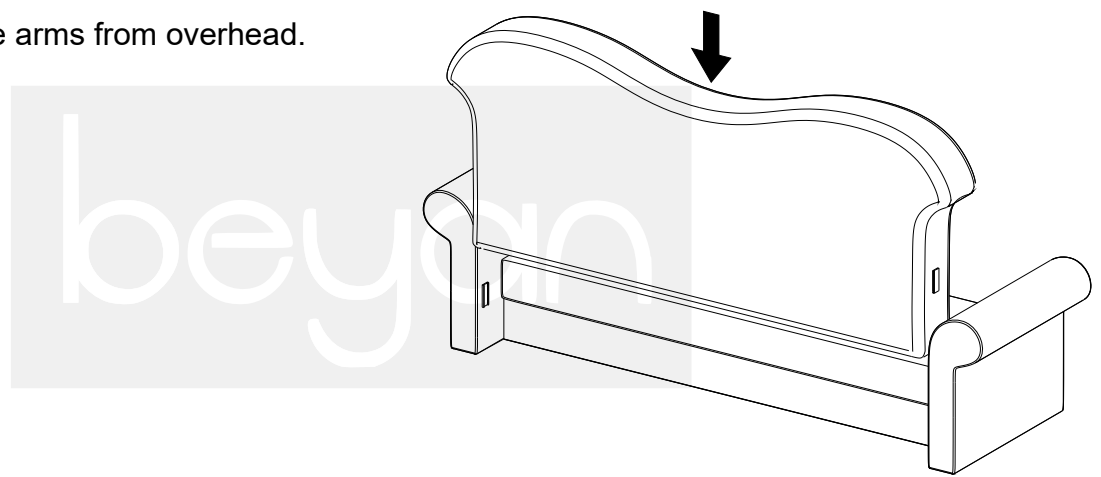
STEP-1

- Place the arms onto the frame from overhead.



STEP-2

- Place the back sofa onto the arms from overhead.



STEP-3

- Tilt the sofa on its backside.
- Fix the legs(1) to the arms.

