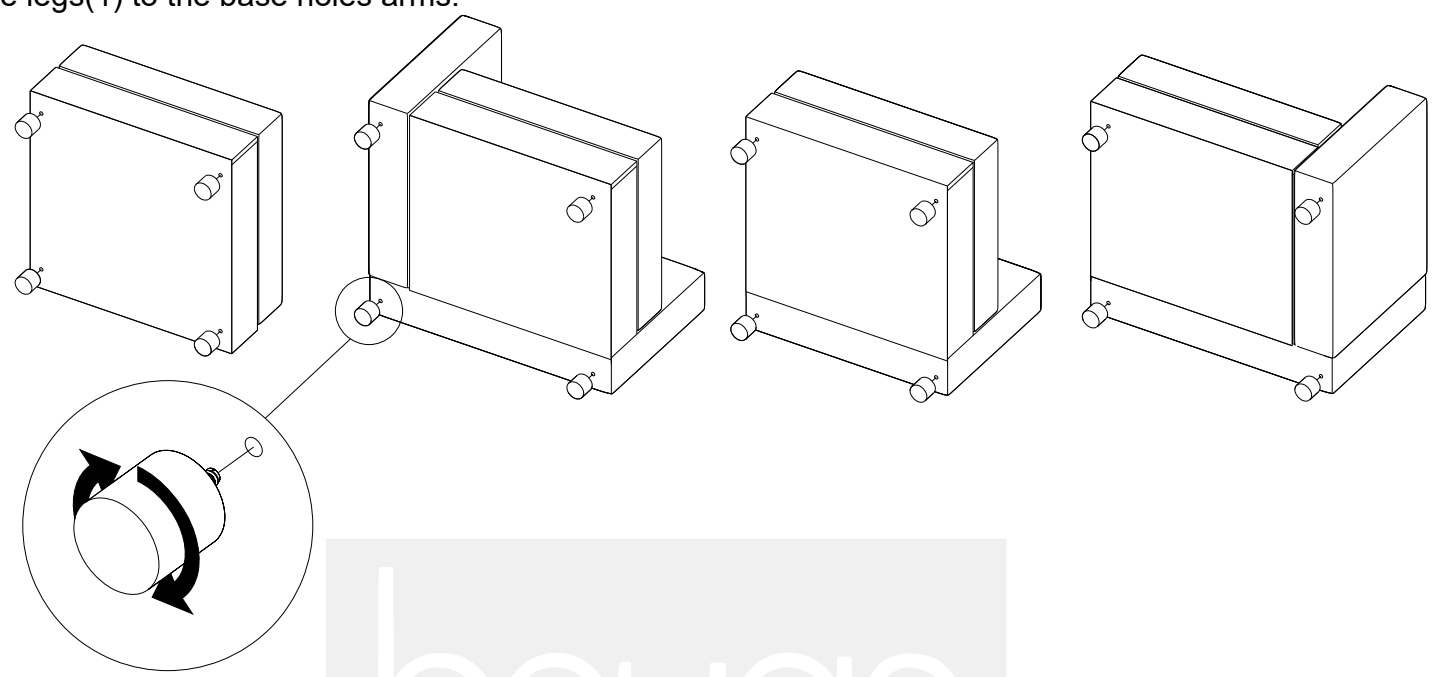


**STEP-1**

- Tilt the sofas on their backside.
- Fix the legs(1) to the base holes arms.



**STEP-2**

- Assemble the seats with the help of connection apparatus locks.

