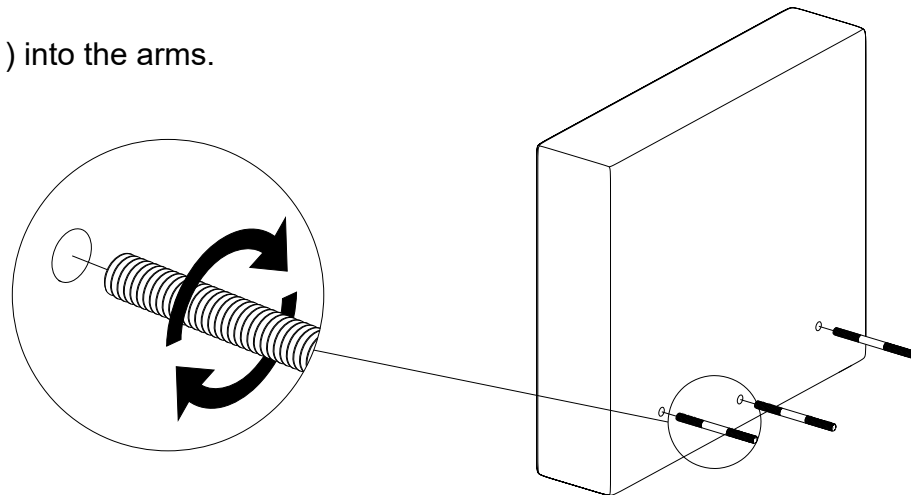


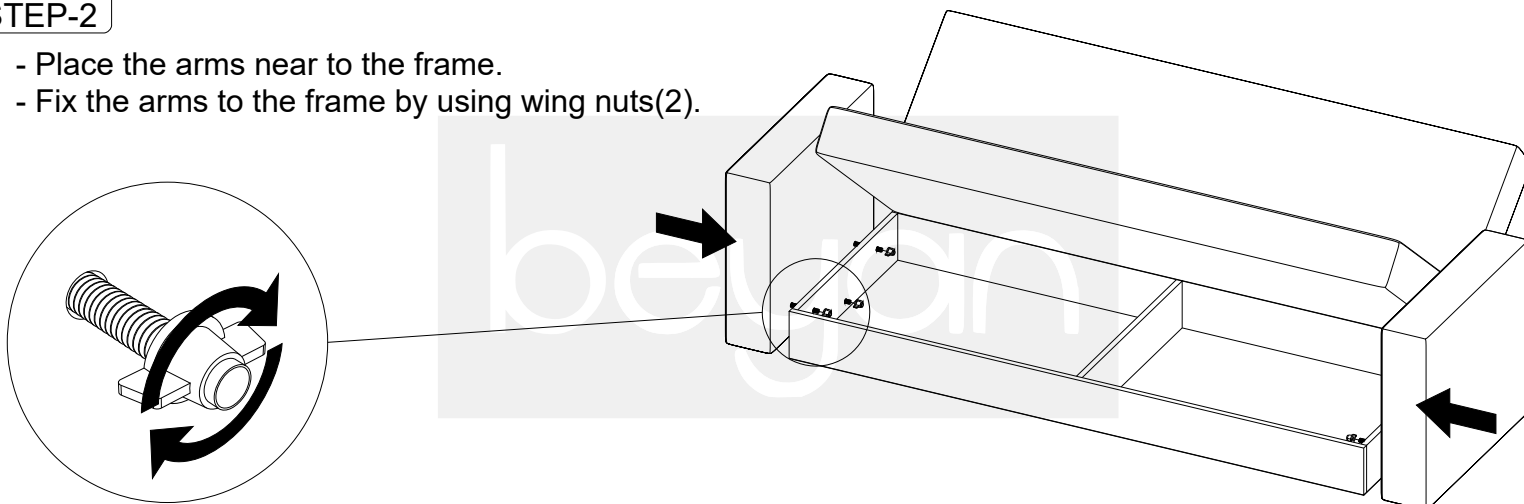
STEP-1

- Fasten the connection apparatus(1) into the arms.



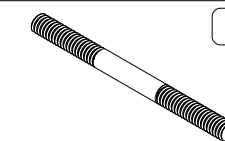
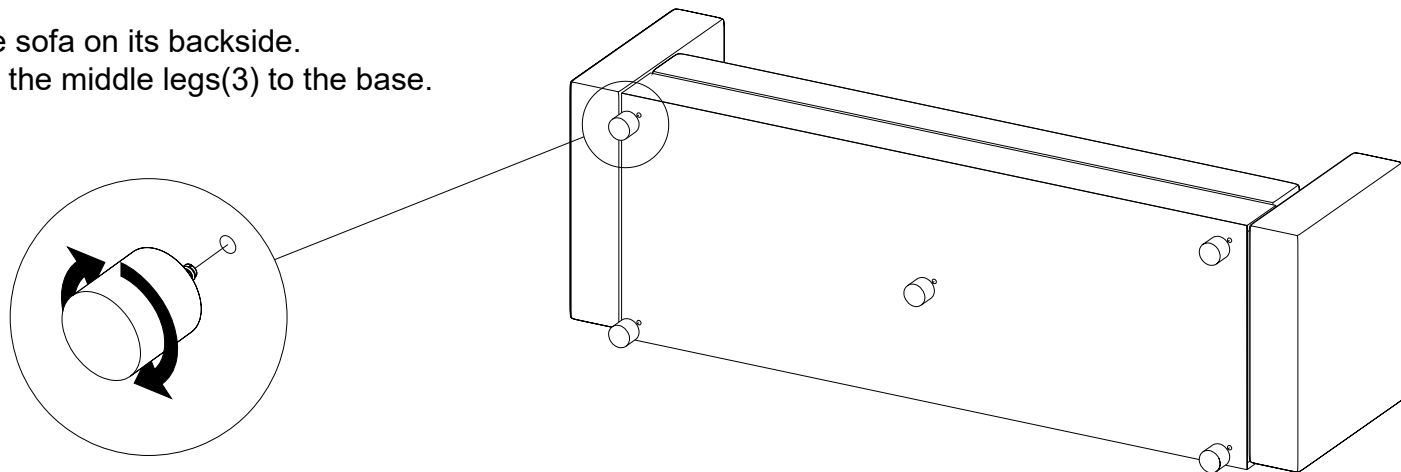
STEP-2

- Place the arms near to the frame.
- Fix the arms to the frame by using wing nuts(2).

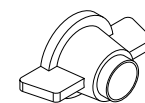


STEP-3

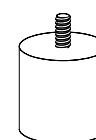
- Tilt the sofa on its backside.
- Screw the middle legs(3) to the base.



CONNECTION APPARATUS
(x 6)



WING NUT
(x 6)



LEG
(x 5)