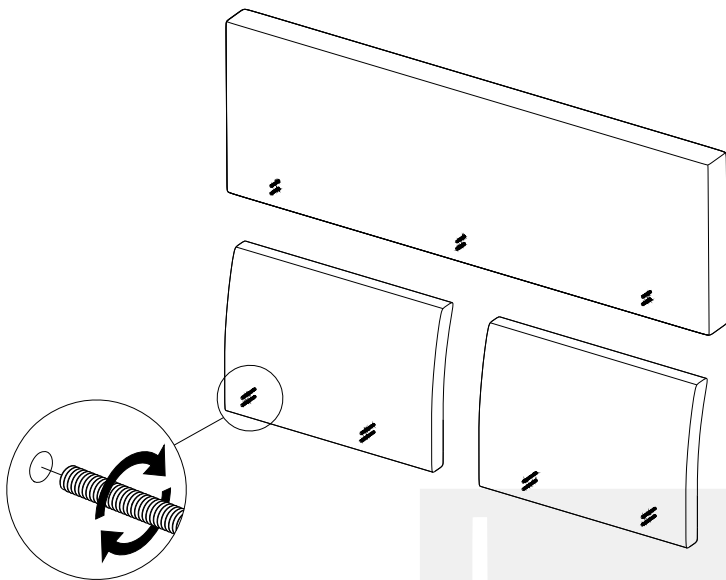


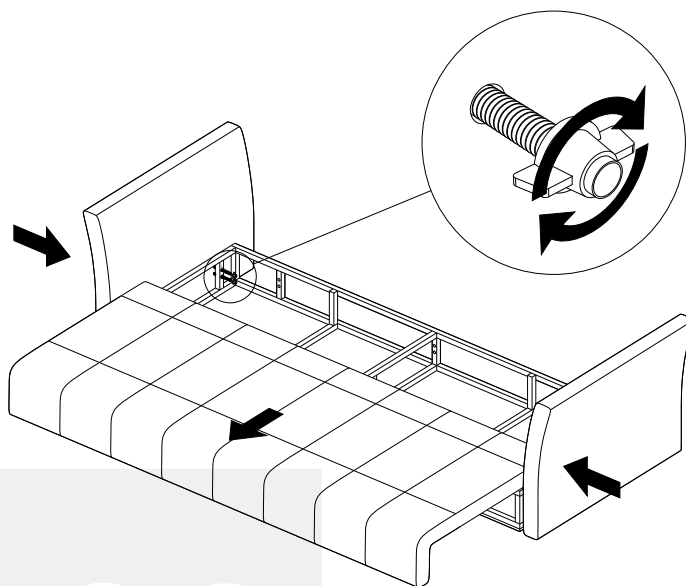
STEP-1

- Fasten the connection apparatus(1) into the arms.



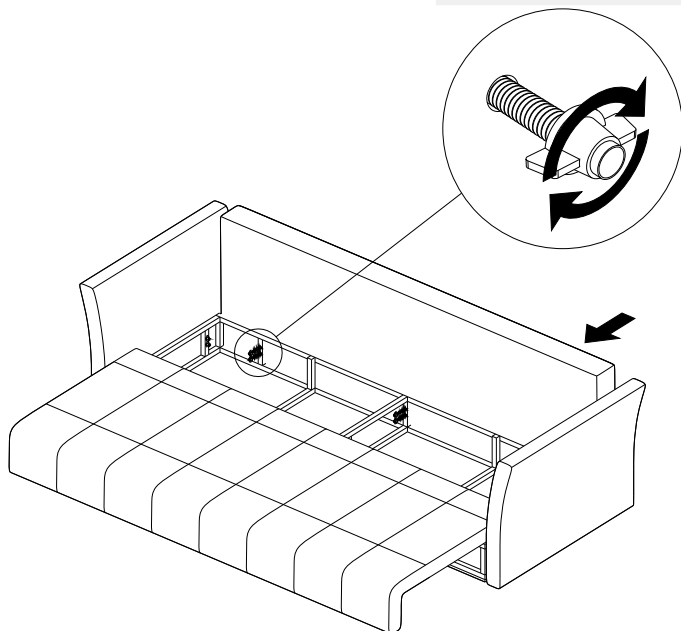
STEP-2

- Place the arms near to the frame.
- Fix the arms to the frame by using wing nuts(2).



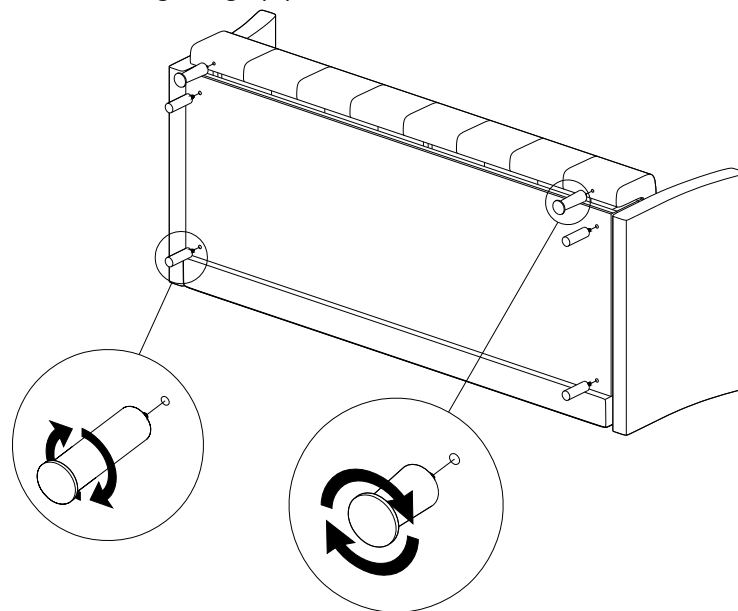
STEP-3

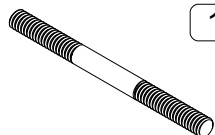
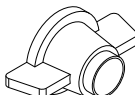
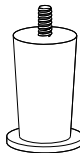
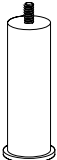
- Place the back arm near to the frame.
- Fix the back arm to the frame by using wing nuts(2).



STEP-4

- Tilt the sofa on its backside.
- Fix the legs(3) to the frame holes.
- Fix the edge legs(4) to the base holes.



 1 CONNECTION APPARATUS (x 14)	 2 WING NUT (x 14)
 3 LEG (x 2)	 4 EDGE LEG (x 4)