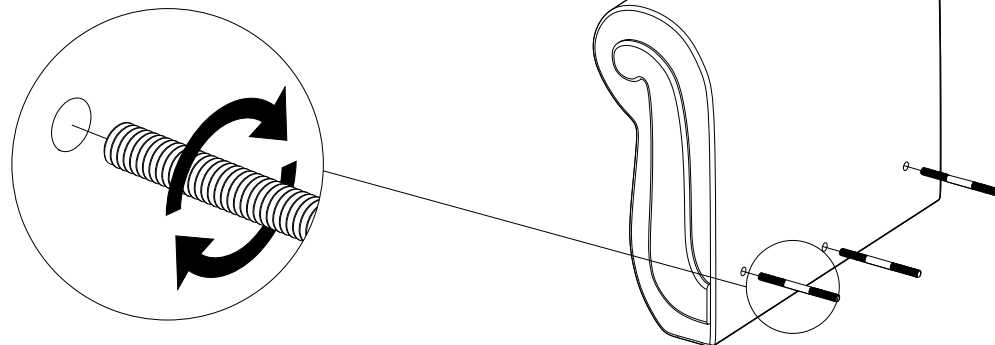


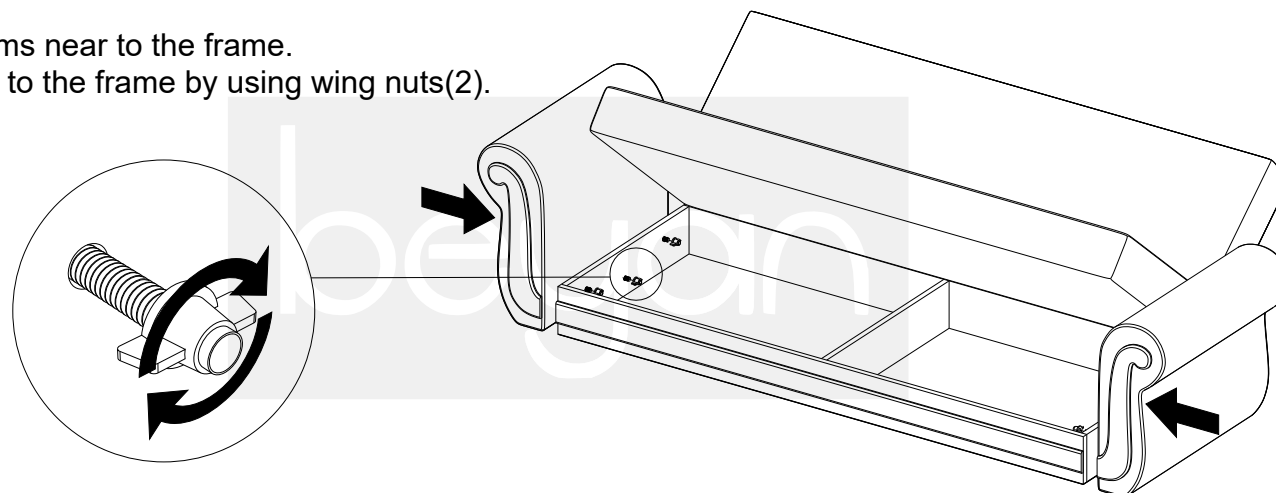
STEP-1

- Fasten the connection apparatus(1) into the arms.



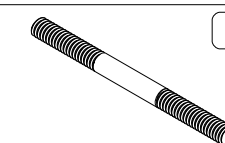
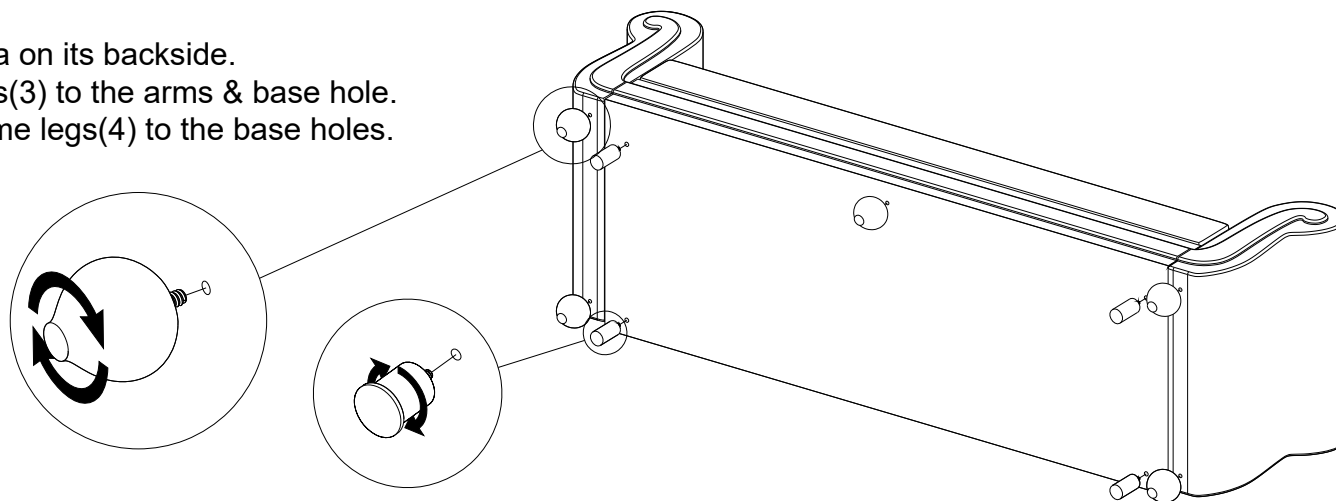
STEP-2

- Place the arms near to the frame.
- Fix the arms to the frame by using wing nuts(2).



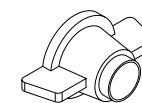
STEP-3

- Tilt the sofa on its backside.
- Fix the legs(3) to the arms & base hole.
- Fix the frame legs(4) to the base holes.



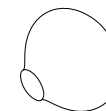
1

CONNECTION APPARATUS
(x 6)



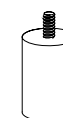
2

WING NUT
(x 6)



3

LEG
(x 5)



4

FRAME LEG
(x 4)