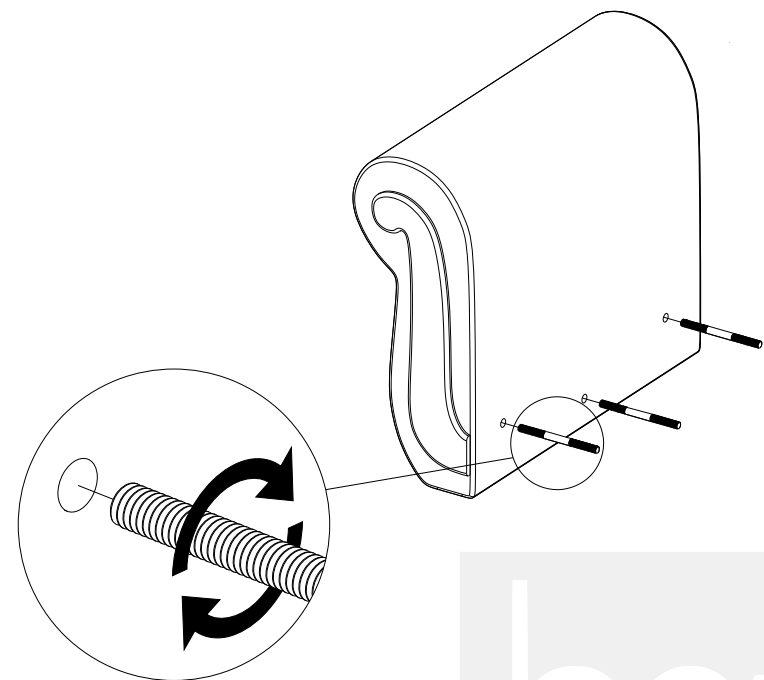
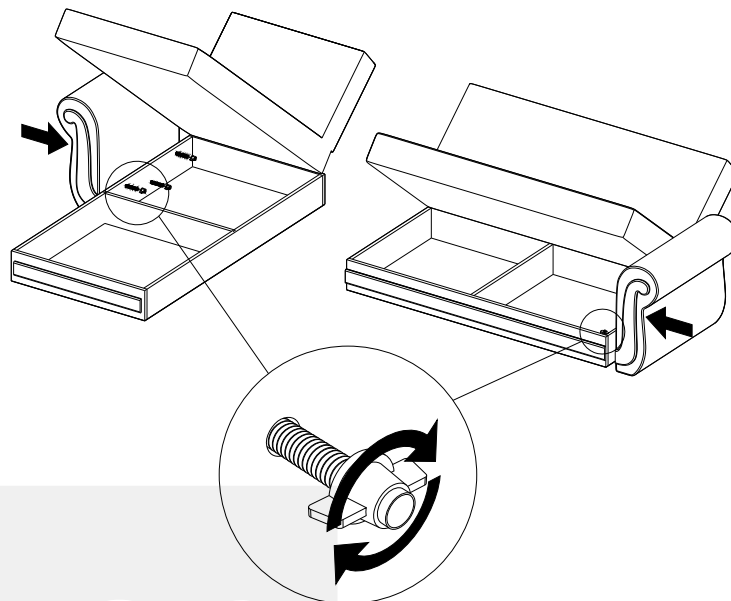


STEP-1

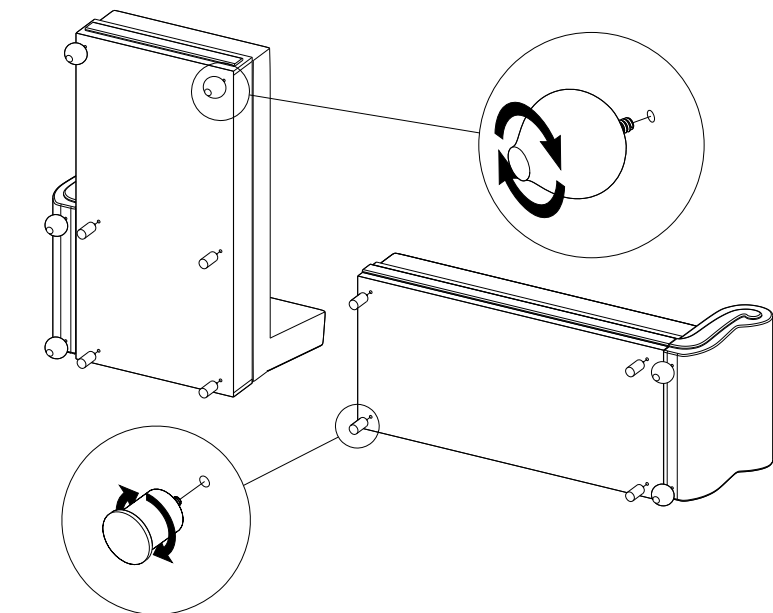
- Fasten the connection apparatus(1) into the arms.

**STEP-2**

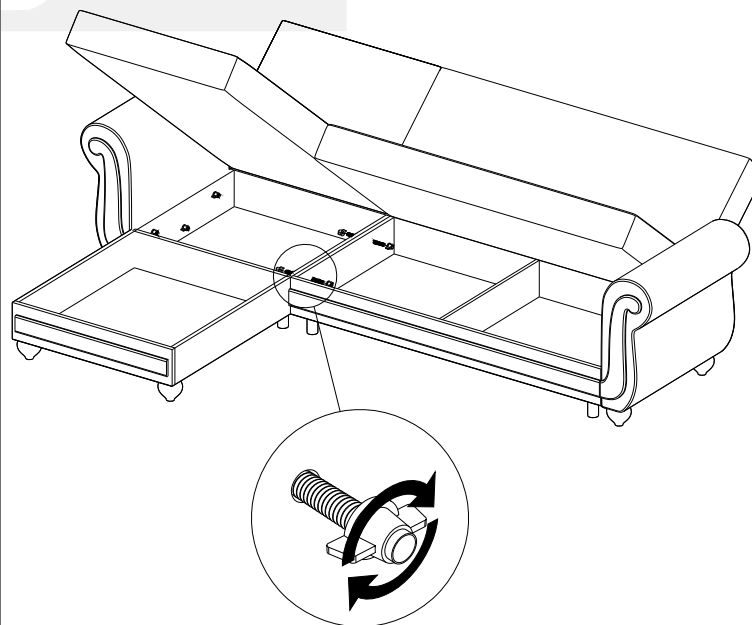
- Place the arms near to the frames.
- Fix the arms to the frames by using wing nuts(2).

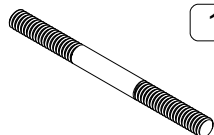
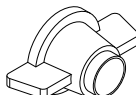

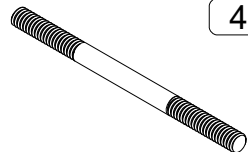

**STEP-3**

- Tilt the sofa on its backside.
- Fix the legs(3) to the arms.
- Fix the frame legs(5) to the base holes.

**STEP-4**

- Assemble the double sofa and corner sofa by using connection apparatus(4) and nuts(2).



 <p>1</p> <p>CONNECTION APPARATUS (x 6)</p>	 <p>2</p> <p>WING NUT (x 10)</p>
 <p>3</p> <p>LEG (x 6)</p>	 <p>4</p> <p>CONNECTION APPARATUS 16 CM (x 2)</p>
 <p>5</p> <p>FRAME LEG (x 8)</p>	