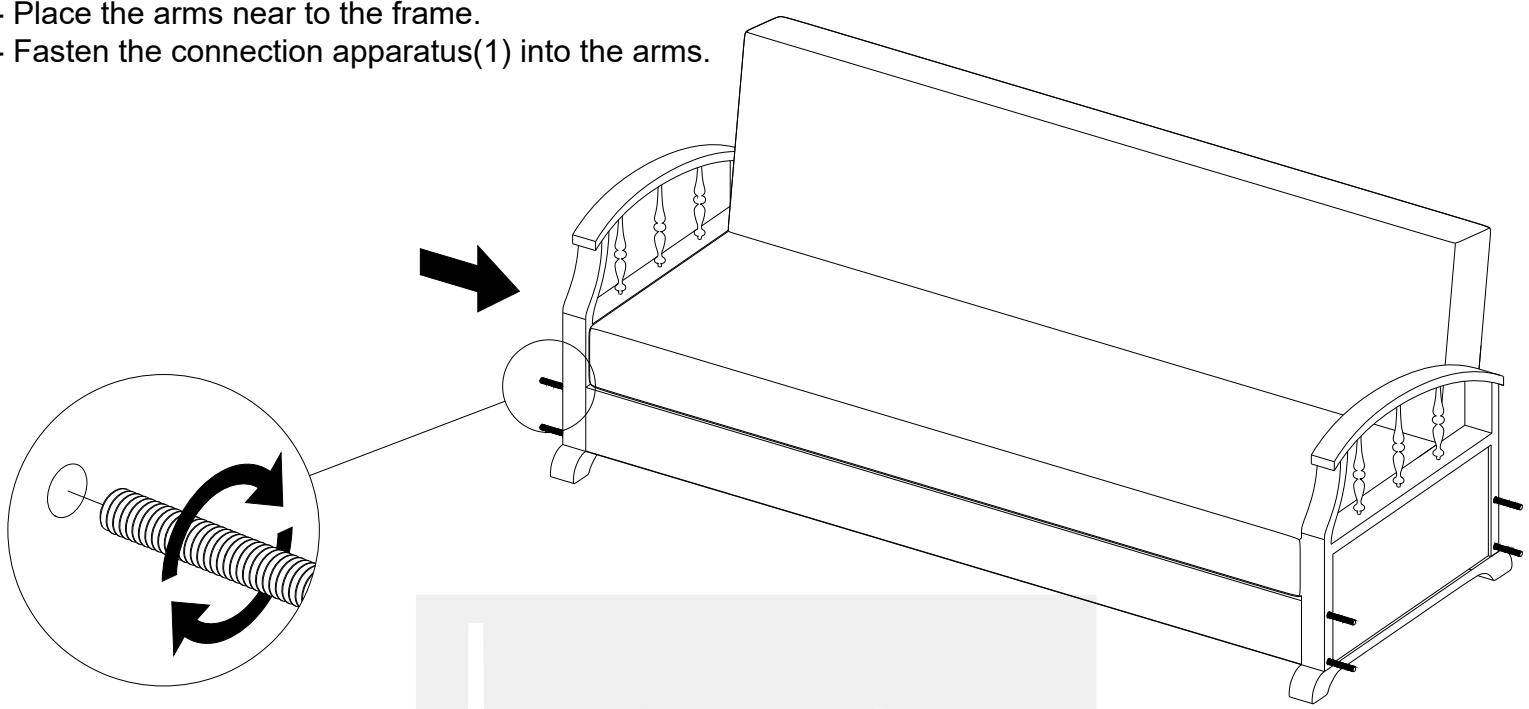


STEP-1

- Place the arms near to the frame.
- Fasten the connection apparatus(1) into the arms.



STEP-2

- Put the screw caps (2) onto the connection apparatus.

