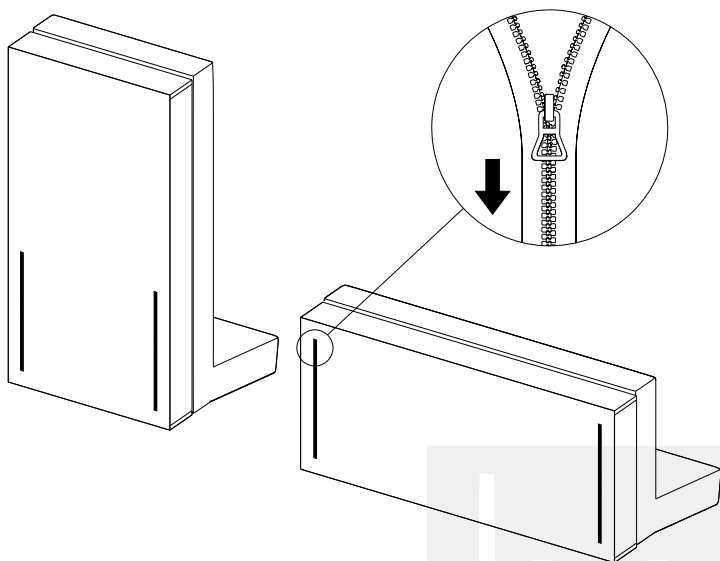
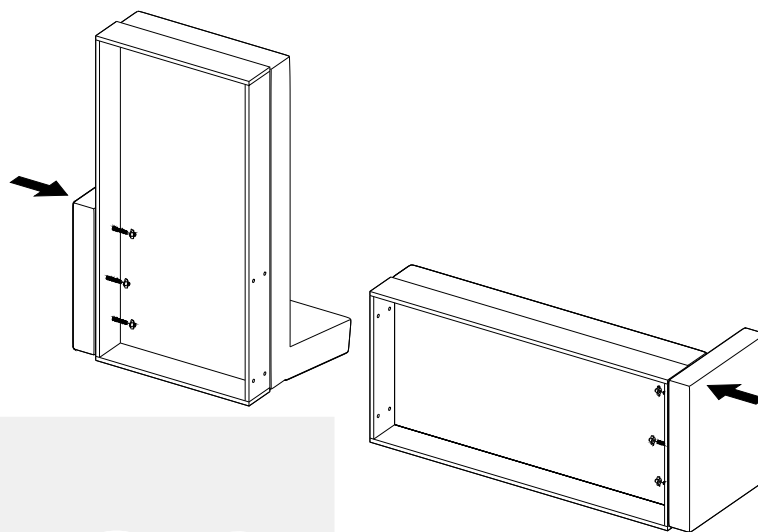


**STEP-1**

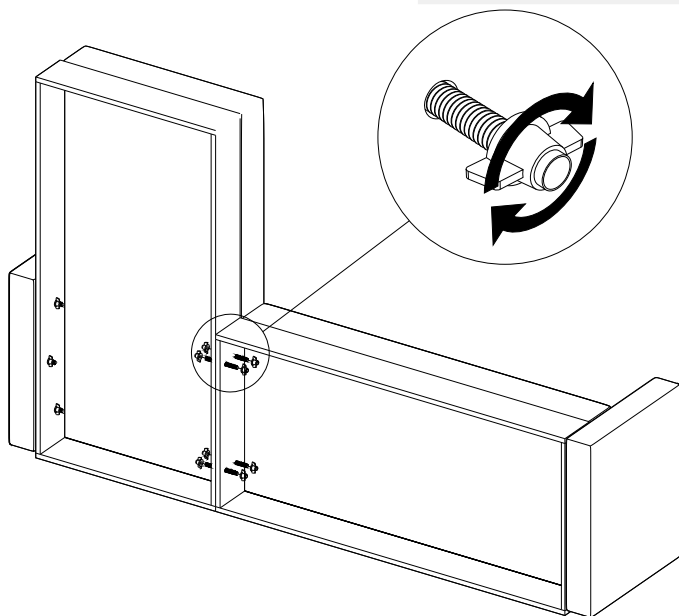
- Tilt the sofas on their backside.
- Open the zippers under the sofas.

**STEP-2**

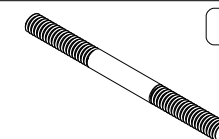
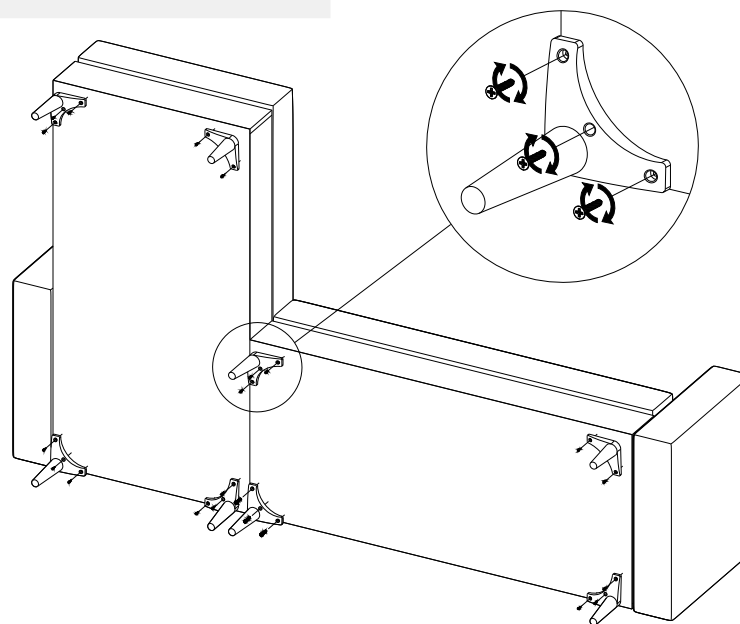
- Place the arms near to the frames.
- Fix the connection apparatus(1) into the arms.
- Fix the arms to the frame by using wing nuts(2).

**STEP-3**

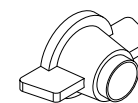
- Assemble the double sofa and corner sofa by using connection apparatus(1) and nuts(2).

**STEP-4**

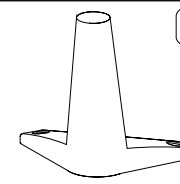
- Fix the legs(3) to the frames by using the screws(4).



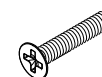
1

CONNECTION APPARATUS  
(x 10)

2

WING NUT  
(x 10)

3

LEG  
(x 8)

4

SCREW  
(x 24)