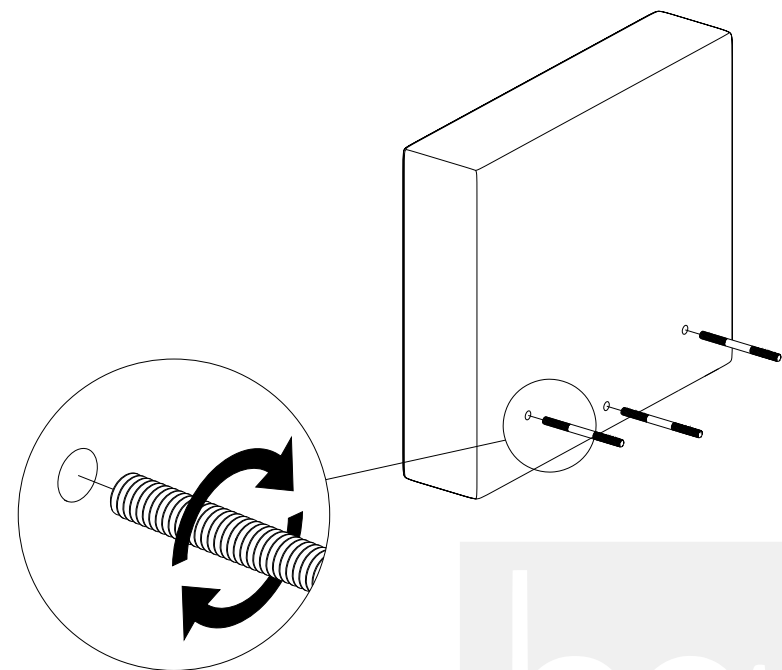
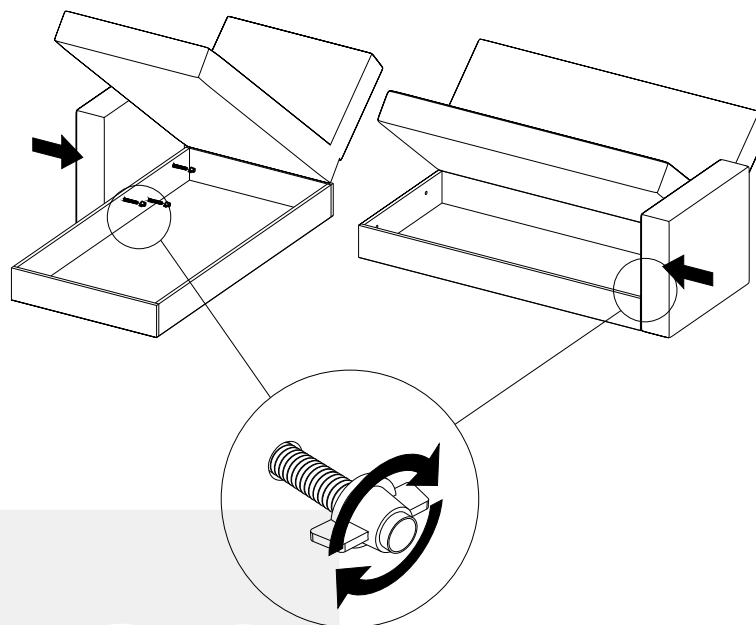


STEP-1

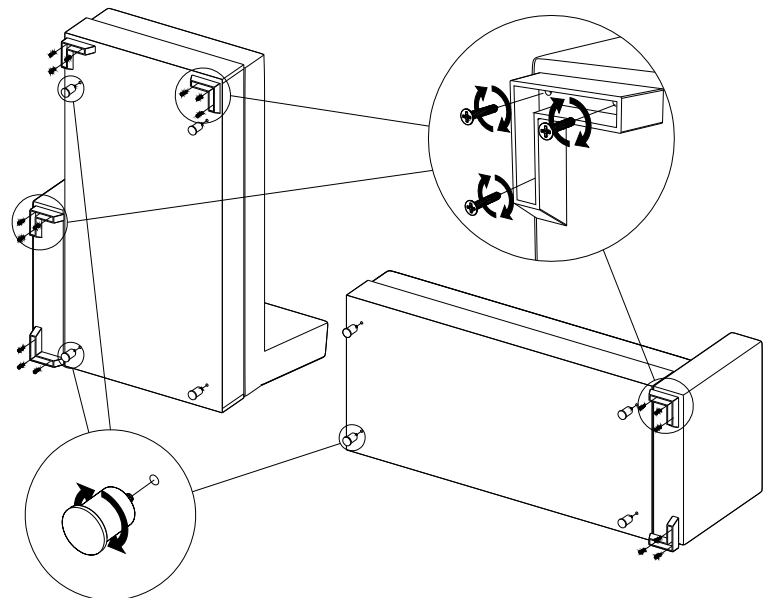
- Fasten the connection apparatus(1) into the arms.

**STEP-2**

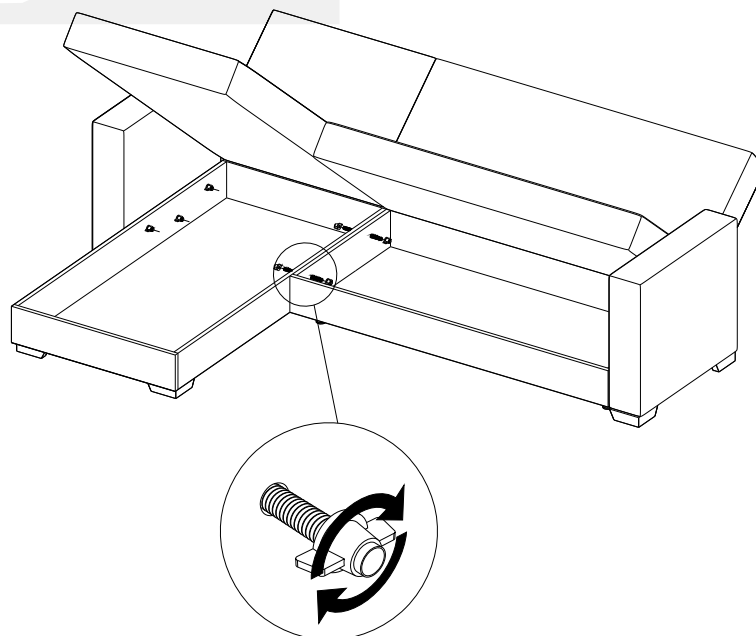
- Place the arms near to the frames.
- Fix the arms to the frames by using wing nuts(2).

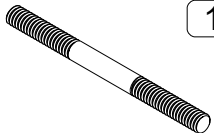
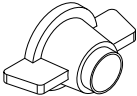
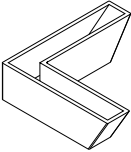
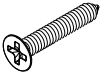
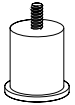
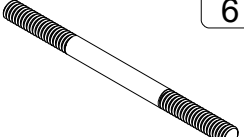
**STEP-3**

- Tilt the sofas on their backside.
- Put the legs(3) to the arms by using the screws(4).
- Fix the middle legs(5) to the arms & base.

**STEP-4**

- Assemble the double sofa and corner sofa by using connection apparatus(6) and nuts(2).



 <p>1</p> <p>CONNECTION APPARATUS 13 CM (x 6)</p>	 <p>2</p> <p>WING NUT (x 10)</p>
 <p>3</p> <p>LEG (x 6)</p>	 <p>4</p> <p>SCREW (x 18)</p>
 <p>5</p> <p>MIDDLE LEG (x 8)</p>	 <p>6</p> <p>CONNECTION APPARATUS 16 CM (x 2)</p>