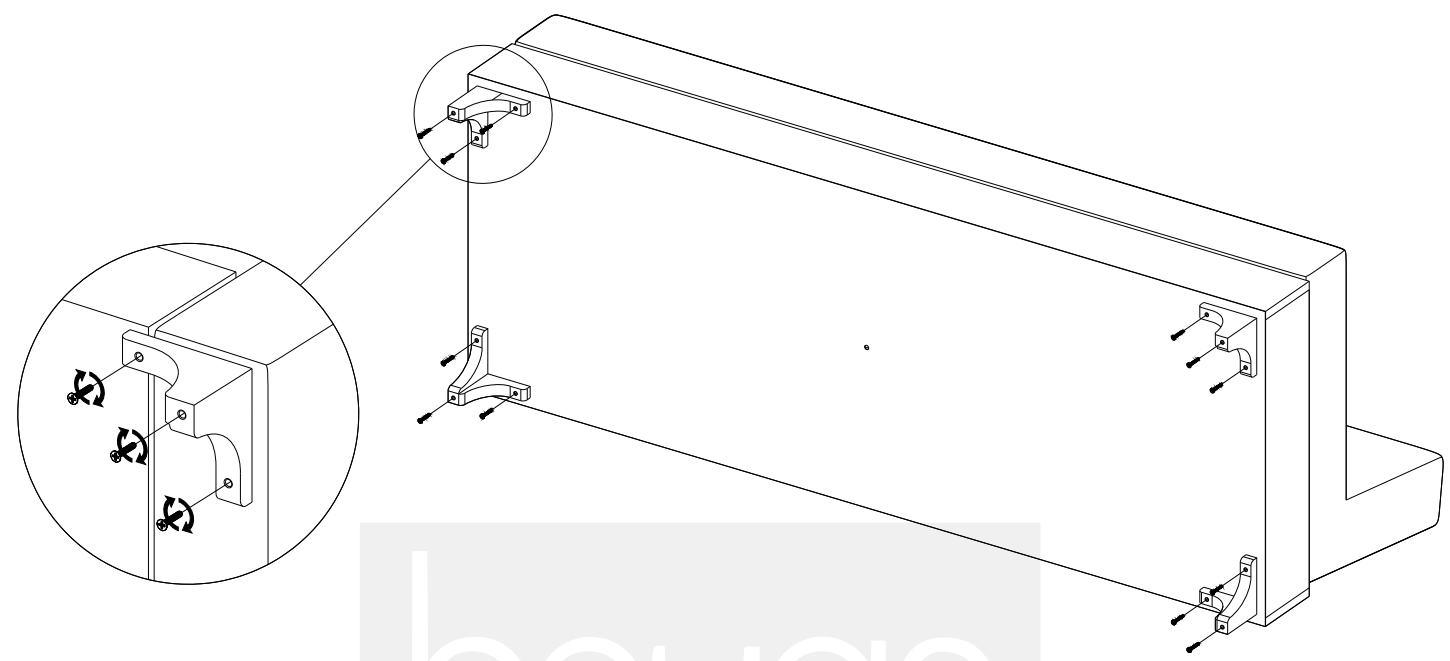


STEP-1

- Tilt the sofa on its backside.
- Fix the legs(1) to the base by using the screws(2).



STEP-2

- Fix the middle leg(3) to the middle base hole.

