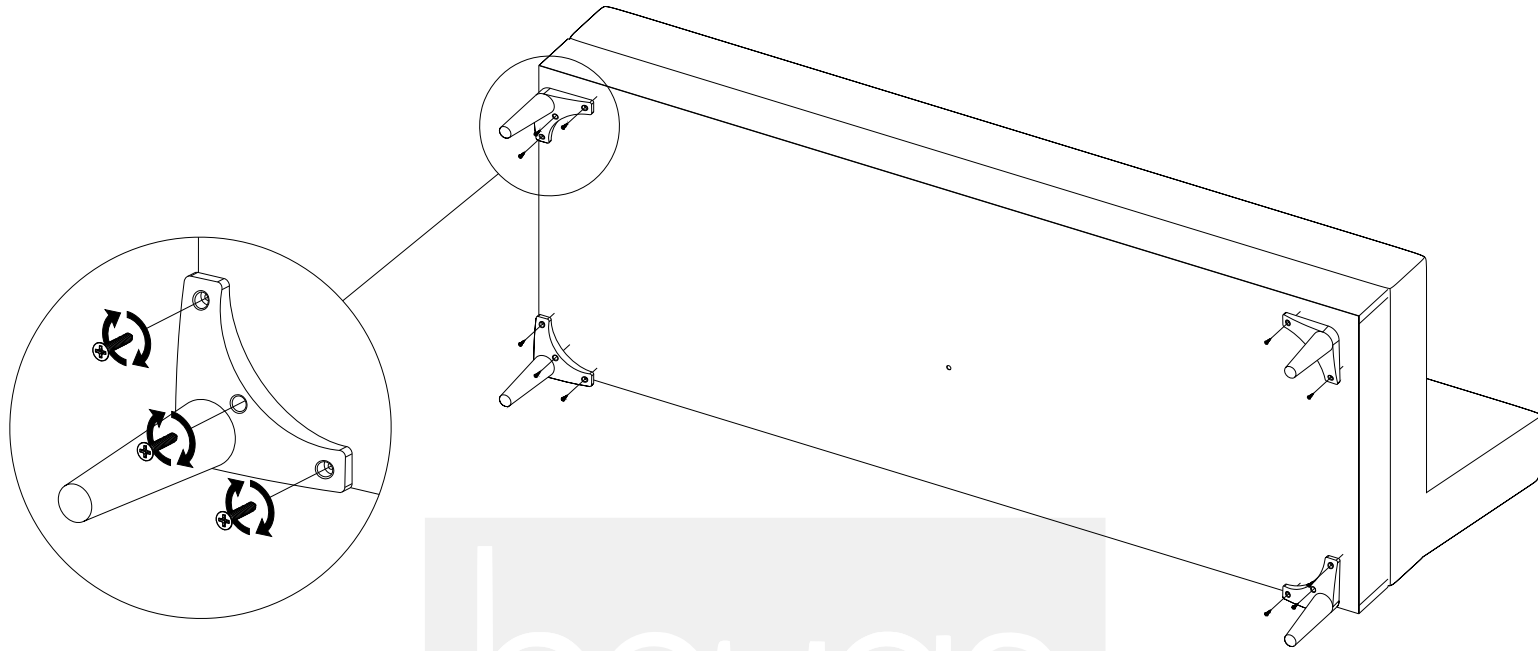


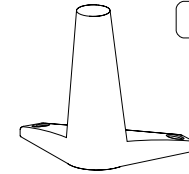
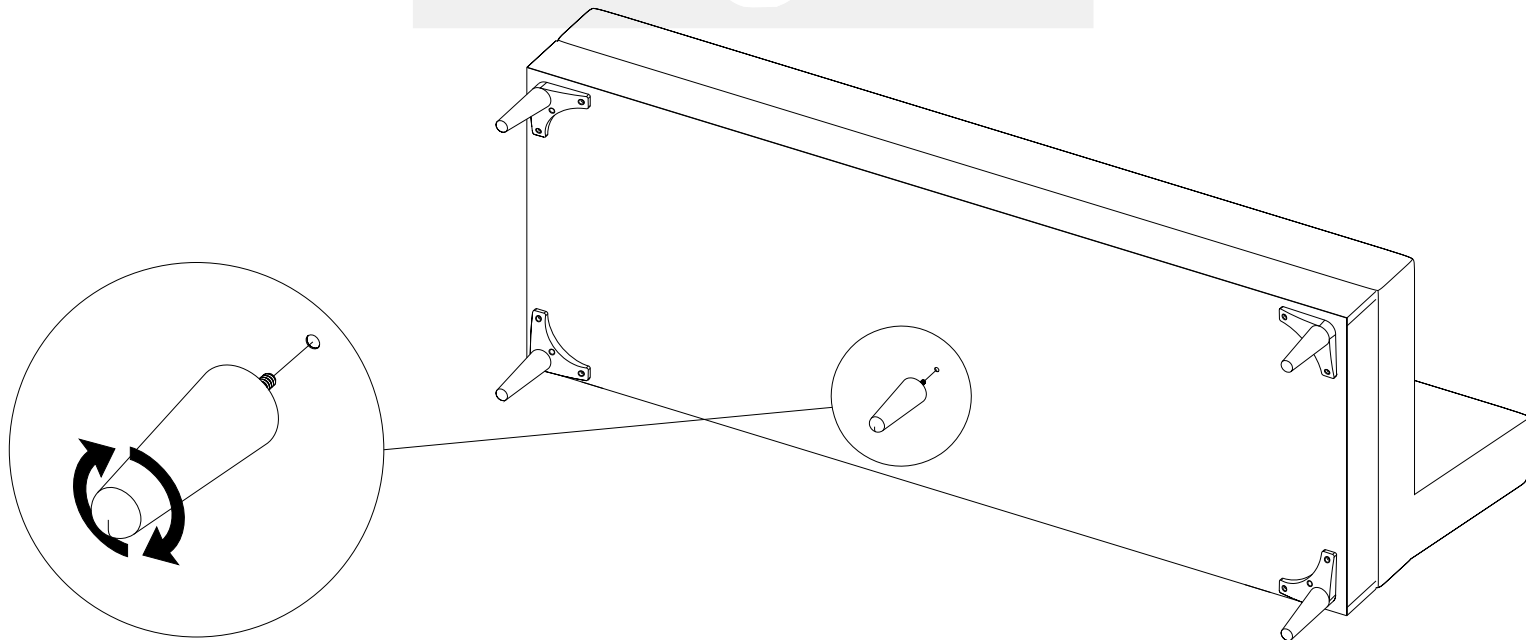
### STEP-1

- Tilt the sofa on its backside.
- Fix the legs(1) to the base by using screws(3).

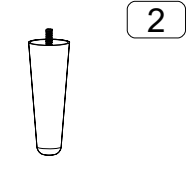


### STEP-2

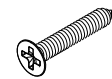
- Fix the middle leg(2) to the middle base hole.



LEG  
(x 4)



MIDDLE LEG  
(x 1)



SCREW  
(x 12)