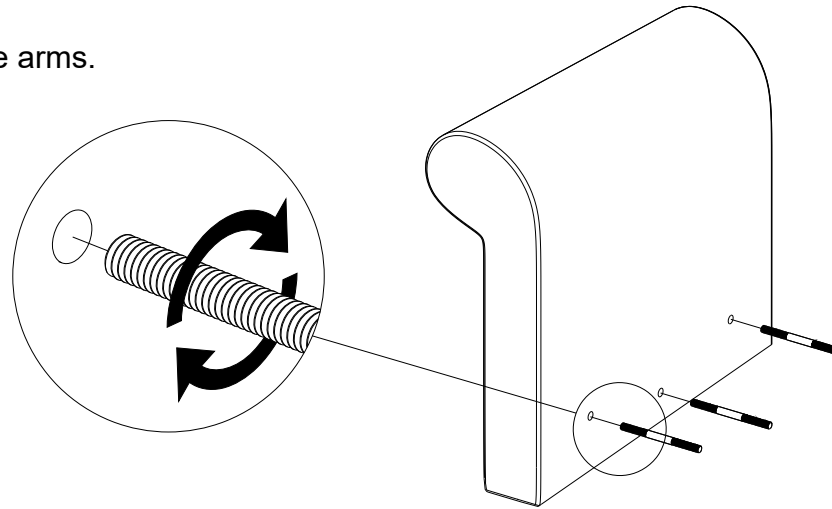


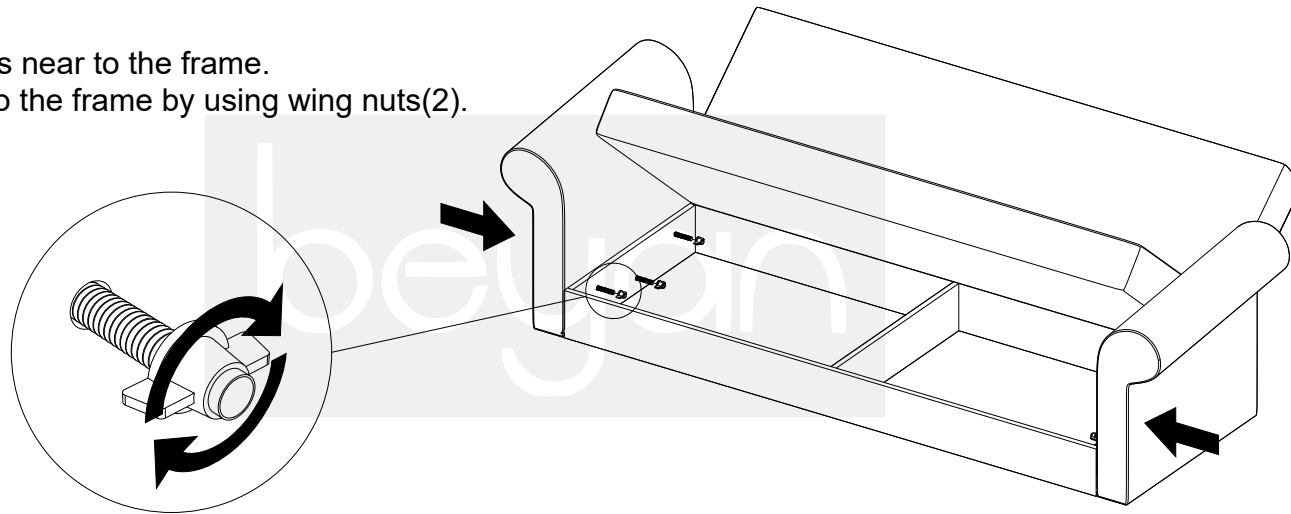
STEP-1

- Fasten the connection apparatus(1) into the arms.



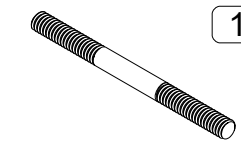
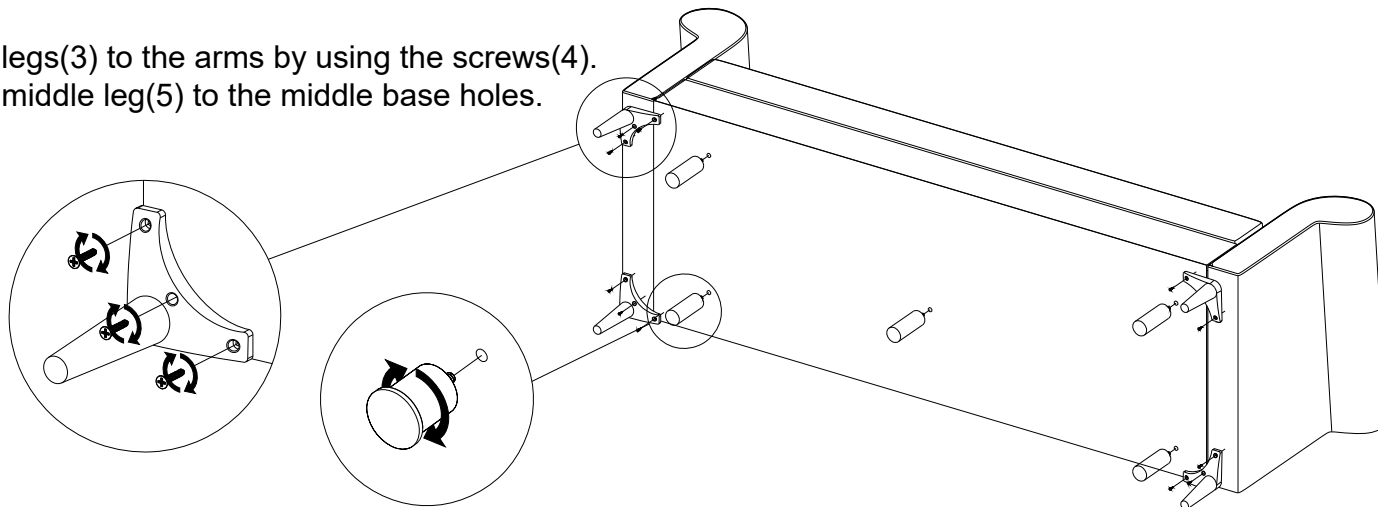
STEP-2

- Place the arms near to the frame.
- Fix the arms to the frame by using wing nuts(2).



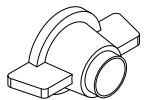
STEP-3

- Fix the legs(3) to the arms by using the screws(4).
- Fix the middle leg(5) to the middle base holes.



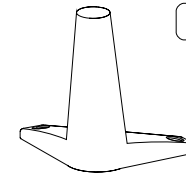
1

CONNECTION APPARATUS
(x 6)



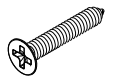
2

WING NUT
(x 6)



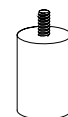
3

LEG
(x 4)



4

SCREW
(x 12)



5

MIDDLE LEG
(x 5)