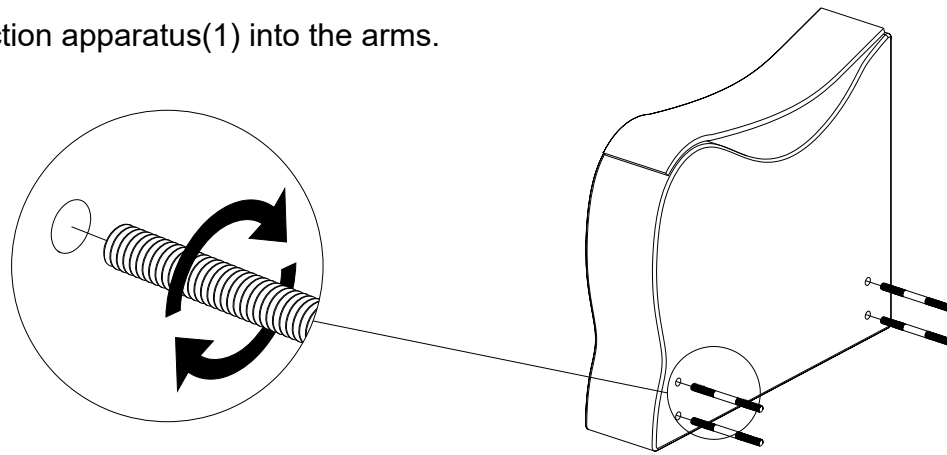


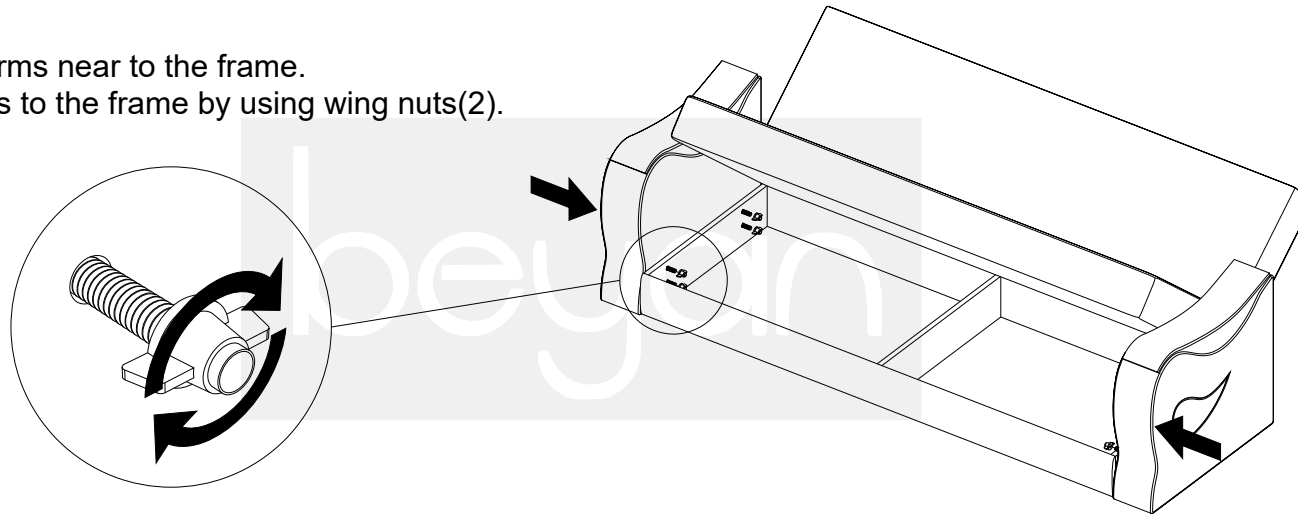
STEP-1

- Fasten the connection apparatus(1) into the arms.



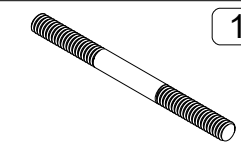
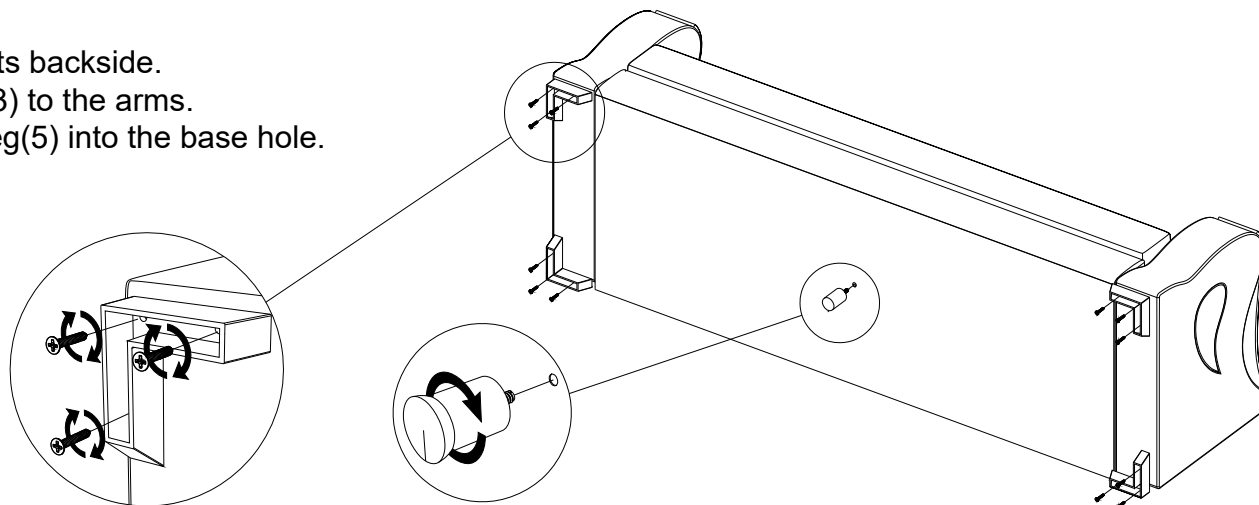
STEP-2

- Place the arms near to the frame.
- Fix the arms to the frame by using wing nuts(2).

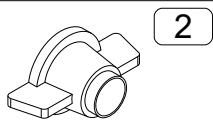


STEP-3

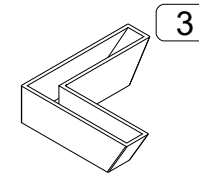
- Tilt the sofa on its backside.
- Screw the legs(3) to the arms.
- Fix the middle leg(5) into the base hole.



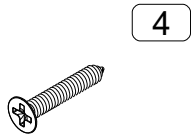
CONNECTION APPARATUS
(x 8)



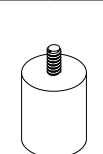
WING NUT
(x 8)



LEG
(x 4)



SCREW
(x 12)



MIDDLE LEG
(x 1)