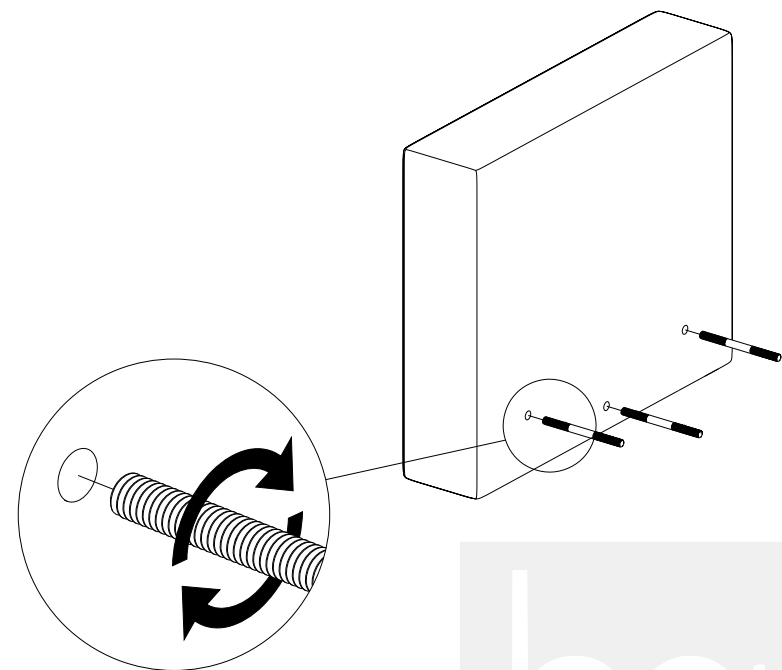


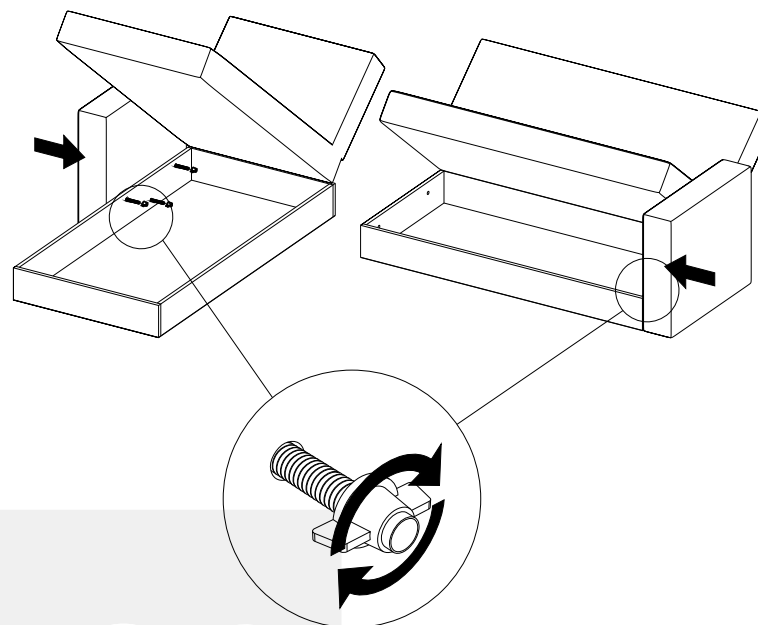
STEP-1

- Fasten the connection apparatus(1) into the arms.



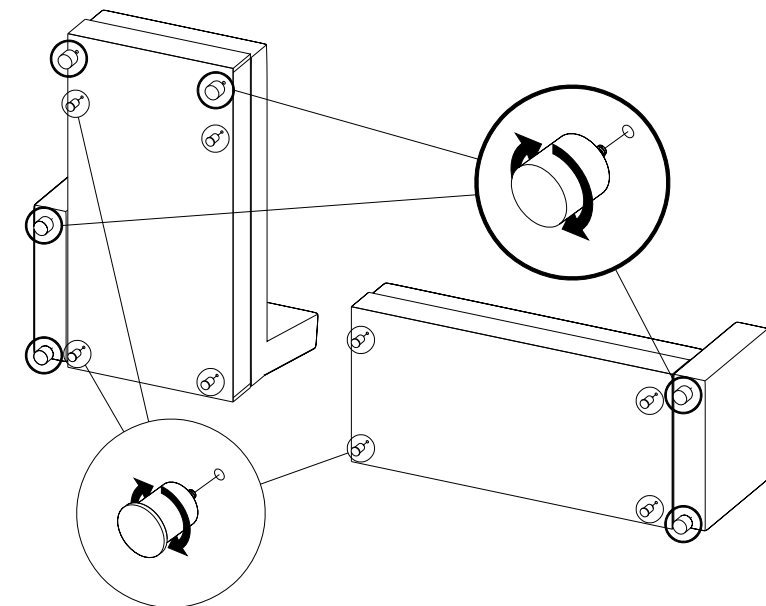
STEP-2

- Place the arms near to the frames.
- Fix the arms to the frames by using wing nuts(2).



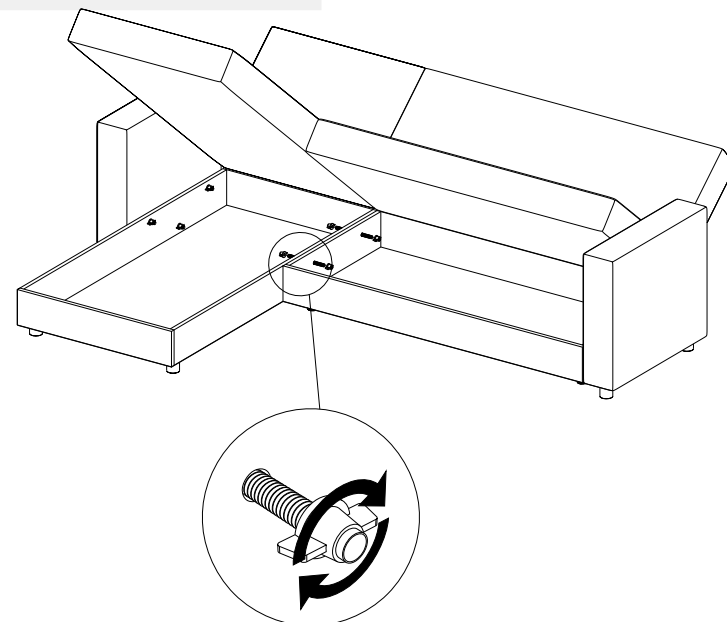
STEP-3

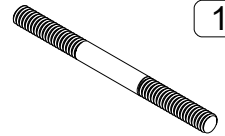
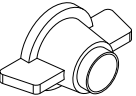
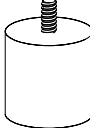
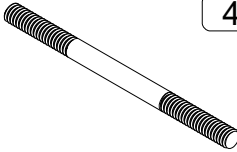
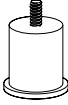
- Tilt the sofa on its backside.
- Fix the legs(3) to the arms.
- Fix the middle legs(5) to the base holes.



STEP-4

- Assemble the double sofa and corner sofa by using connection apparatus(4) and nuts(2).



 1 CONNECTION APPARATUS 13 CM (x 6)	 2 WING NUT (x 10)
 3 LEG (x 6)	 4 CONNECTION APPARATUS 16 CM (x 2)
 5 MIDDLE LEG (x 8)	